

**Multi-bypass Tray Type 2105
(B512)**

Multi-bypass Tray Type 2105 (B512)

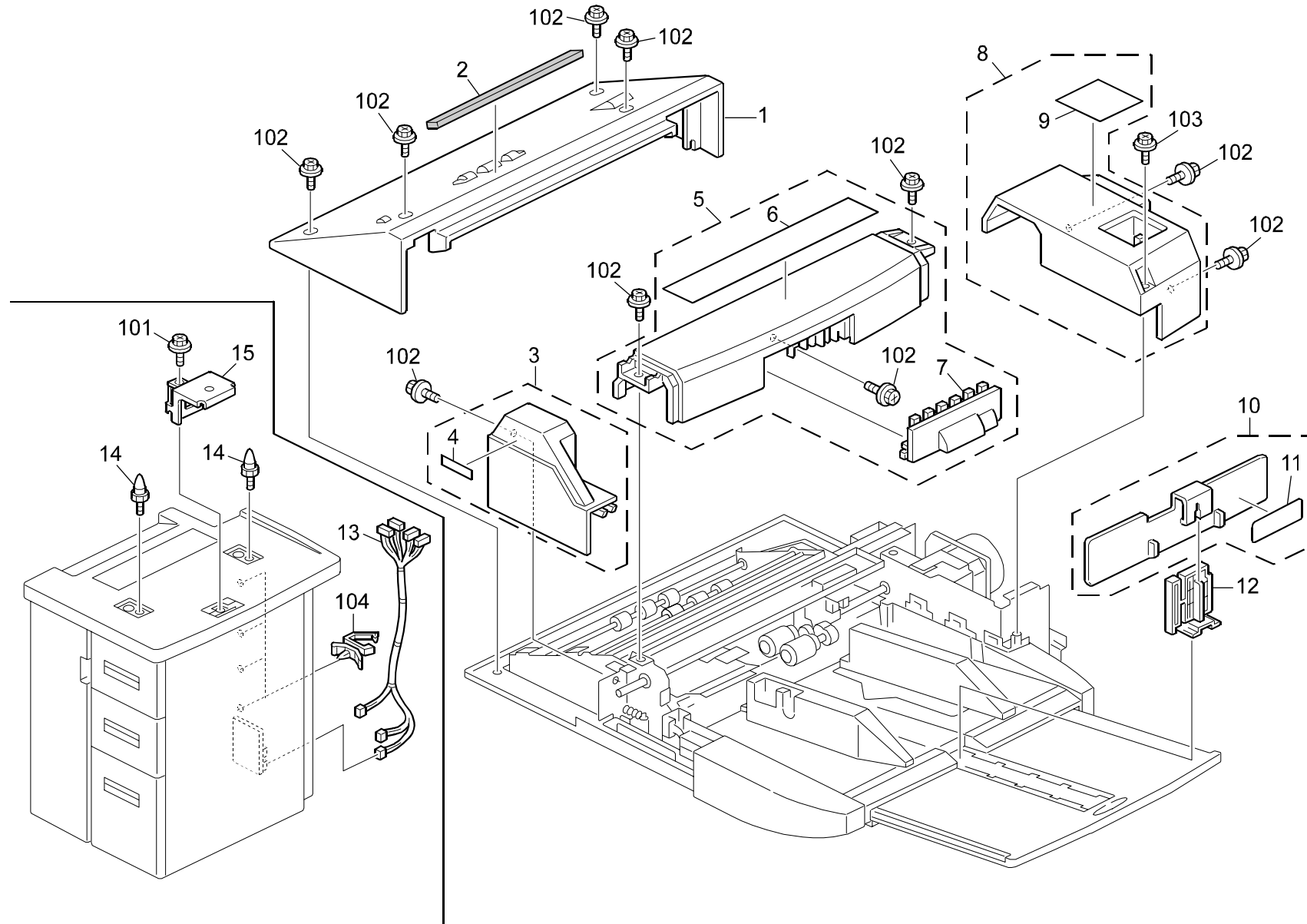
PARTS CATALOG

This catalog gives the numbers and names of parts on this machine.

1.EXTERIOR (B512)	2
2.PAPER TRAY (B512).....	4
3.PAPER REGISTRATION (B512)	6
4.TRANSFER SECTION (B512)	8
5.DRIVE AND ELECTRICAL (B512).....	10
6.FRAME SECTION (B512).....	12
7.DECALS AND DOCUMENTS (B512)	14
PARTS INDEX	17

January ,25 ' 2003

1.EXTERIOR (B512)

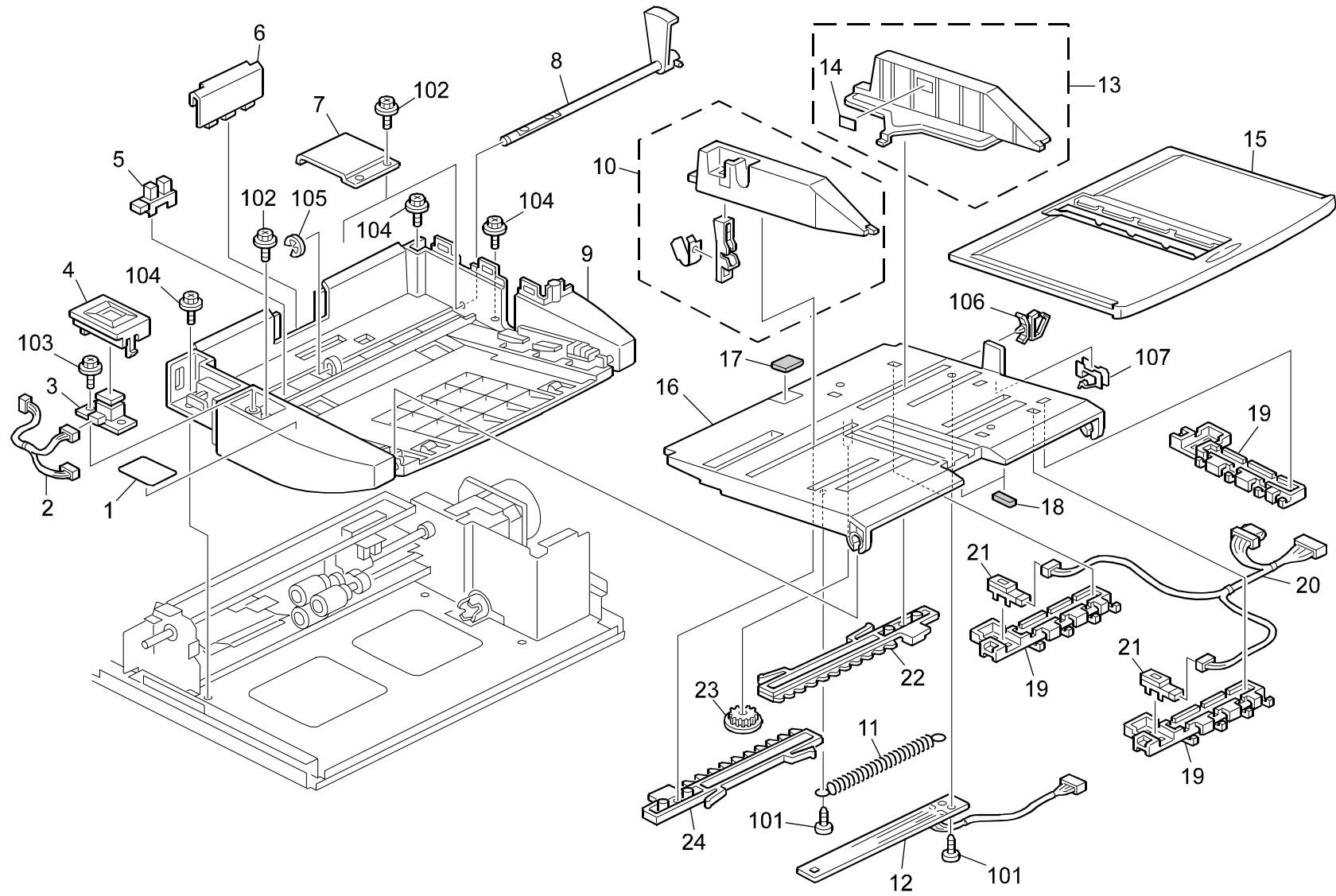


1.EXTERIOR (B512)

Index No.	Part No.	Description	Q'ty Per Assembly
1	B512 1250	Cover:Connecting	1
2	G521 2586	Cushion:Spacer:Large Capacity Tray	1
3	B512 1255	Cover:Front:Ass'y	1
4	B512 1315	Decal:Tray:Display	1
5	B512 1252	Cover:Upper:Ass'y	1
6	B512 1310	Decal:Paper Jam	1
7	B512 1262	Cover:Roller:Upper	1
8	B512 1257	Cover:Rear:Ass'y	1
9	B512 1317	Decal:End Fence:Install	1
10	B512 2681	End Fence:Tab:Ass'y	1
11	B512 2688	Decal:Tab:End Fence:Install	1
12	B512 2684	End Fence	1
13	B512 5304	Harness:Connecting:Interface:Ass'y	1
14	AA14 3777	Lower Docking Pin	2
15	B512 1094	Bracket:Fix Stand	1

Index No.	Part No.	Description	Q'ty Per Assembly
101	0451 4008B	Philips Tapping Screw - M4x8	
102	0451 4008H	Tapping Screw - 4x8	
103	0450 4012H	Tapping Screw:4x12	
104	1105 0487	Harness Clamp	

2.PAPER TRAY (B512)

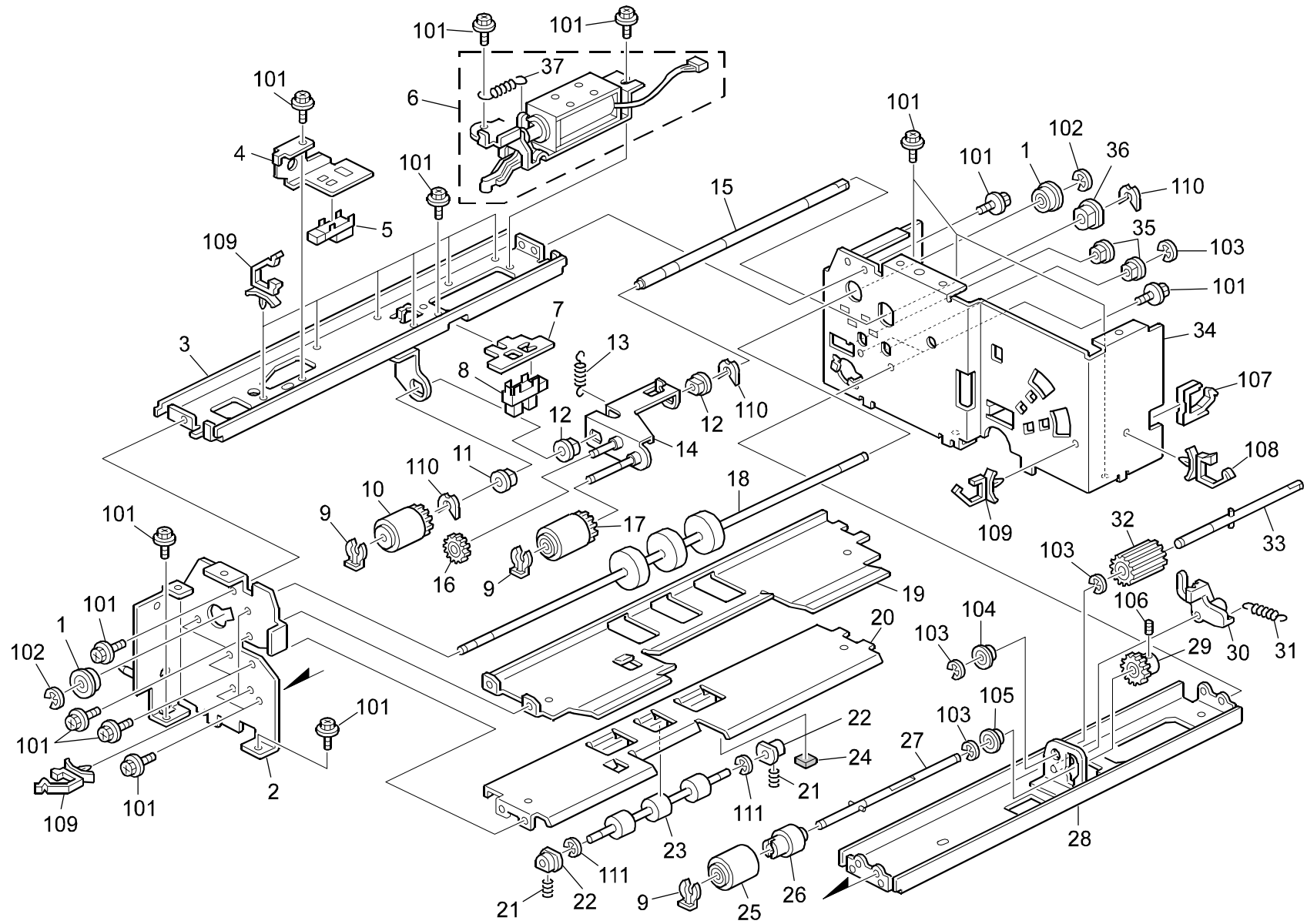


2.PAPER TRAY (B512)

Index No.	Part No.	Description	Q'ty Per Assembly
1	B512 2689	Decal:Paper Set Direction	1
2	B512 5315	Harness:Switch:Ass'y	1
3	B512 5170	Push Switch:Rise:Fall	1
4	B512 1263	Cover:Push Switch	1
5	AW02 0056	Photointerruptor - EE-SX4235A-P1	1
6	B512 2662	Cover:Roller:Lower	1
7	B512 2668	Lever:Rise:Tray Bottom Plate	1
8	B512 2667	Shaft:Rise:Peen	1
9	B512 2664	Tray:Lower	1
10	B512 2680	Side Fence:Front:Ass'y	1
11	AA06 0930	Tension Spring:Side Fence:Rear	1
12	B512 6080	Printed Circuit Board:Paper Size	1
13	B512 2672	Side Fence:Rear:Ass'y	1
14	B511 2674	Decal:Display:Paper Volume	1
15	B512 2682	Paper Tray:Auxiliary	1
16	B512 2677	Tray Bottom Plate	1
17	A421 2543	Friction Pad	1
18	B303 2645	Noise Absorber Seal - 16.5x4.2x3	2
19	B512 2678	Bracket:Photo Refiection Sensor	3
20	B512 5312	Harness:Tray	1
21	AW01 0098	Photointerrupter - GP2A231LRSA	2
22	B512 2690	Rack:Rear:Ass'y	1
23	G011 3305	Gear - 16T	1
24	B512 2692	Rack:Manual Feed	1

Index No.	Part No.	Description	Q'ty Per Assembly
101	0452 3006B	Tapping Screw - M3x6	
102	0802 5282	Tapping Screw - M4x8	
103	0450 4008B	Tapping Screw - 4x8	
104	0802 5281	Tapping Screw - M4x6	
105	0720 0060E	Retaining Ring - M6	
106	1105 0511	Harness Clamp - LWS-0306ZC	
107	1105 0522	Edge Saddle - Les0510	

3.PAPER REGISTRATION (B512)



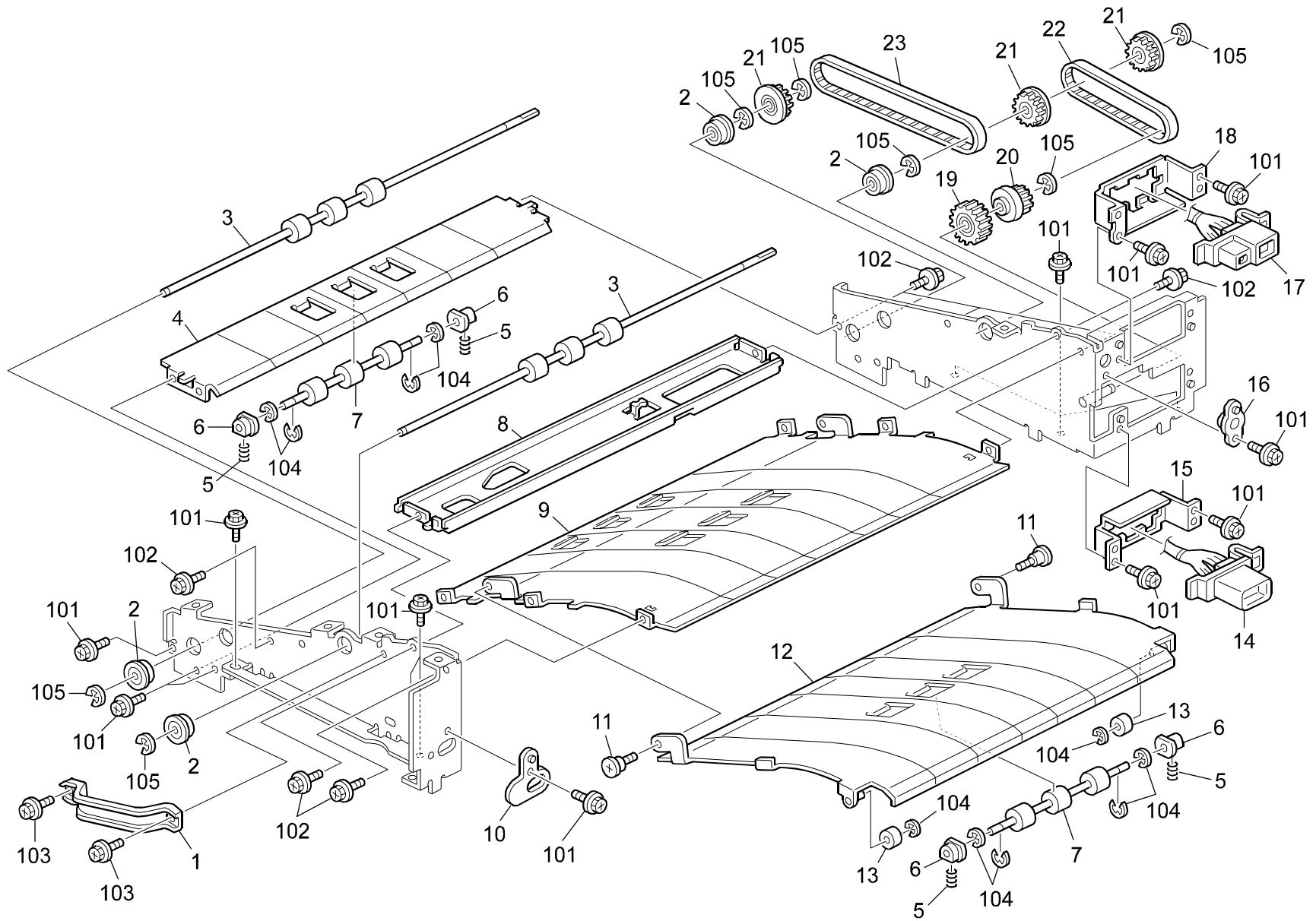
3.PAPER REGISTRATION (B512)

Index No.	Part No.	Description	Q'ty Per Assembly
1	A232 3566	Ball Bearing - 8x16x5	2
2	B512 2715	Paper Feed Unit:Side Plate:Front	1
3	B511 2571	Stay:Feed:Peen	1
4	B512 2735	Bracket:Photo Refiection Sensor	1
5	AW01 0098	Photointerrupter - GP2A231LRSA	1
6	B511 2578	Pick-up DC Solenoid	1
7	B512 2714	Bracket:Rise:Sensor	1
8	AW02 0056	Photointerruptor - EE-SX4235A-P1	1
9	AA10 0014	Retaining Ring C - Separate	3
10	AF03 1081	Paper Feed Roller:Feed:Manual Feed	1
11	AA08 2074	Bushing - M8	1
12	AA08 2070	Bushing - 8x16x7	2
13	AA06 0925	Tension Spring:Pickup:Pressure	1
14	B511 2574	Arm:Pickup:Peen	1
15	AA14 0799	Feed Roller Shaft	1
16	5447 2706	Gear - 15T	1
17	AF03 0080	Paper Feed Roller:Pickup	1
18	AF02 0573	Transport Drive Roller	1
19	B511 2531	Guide Plate:Feed	1
20	B303 2535	Reverse Guide Plate	1
21	AA06 3852	Pressure Spring	2
22	AA08 0034	Bushing - 4x5x7	2
23	AF02 0489	Transport Relay Roller	1
24	A229 2692	Damping Insulation	1
25	AF03 2080	Paper Feed Roller:Separate	1
26	A294 6700	Torque Limiter - 53mnm	1
27	A229 6307	Reverse Driven Shaft	1
28	B511 2541	Feed Stay	1
29	AB01 1391	Driven Reverse Gear - 21z	1
30	B303 2556	Reverse Pressure Lever	1
31	AA06 0834	Reverse Pressure Spring - 55gf	1
32	AB01 1392	Drive Reverse Gear - 24z	1
33	B303 6306	Reverse Drive Shaft	1
34	B512 2702	Paper Feed Unit:Side Plate:Rear	1
35	AA08 2046	Bushing - 6x12x6	2

Index No.	Part No.	Description	Q'ty Per Assembly
36	AA08 3015	Roller Clutch	1
37	AA06 0924	Tension Spring:Pickup:Pressure Release	1
101	0802 5282	Tapping Screw - M4x8	
102	0720 0060E	Retaining Ring - M6	
103	0720 0040E	Retaining Ring - M4	
104	0741 3706	Ball Bearing - 6x10x3	
105	0805 3145	Ball Bearing - 6x12x4mm	
106	0573 0030E	Hexagon Headless Set Screw - M3x3	
107	1105 0518	Edge Saddle - Les-1010	
108	1105 0487	Harness Clamp	
109	1105 0534	Clamp	
110	0805 0088	Retaining Ring - M6	
111	0720 0030E	Retaining Ring - M3	



4.TRANSFER SECTION (B512)

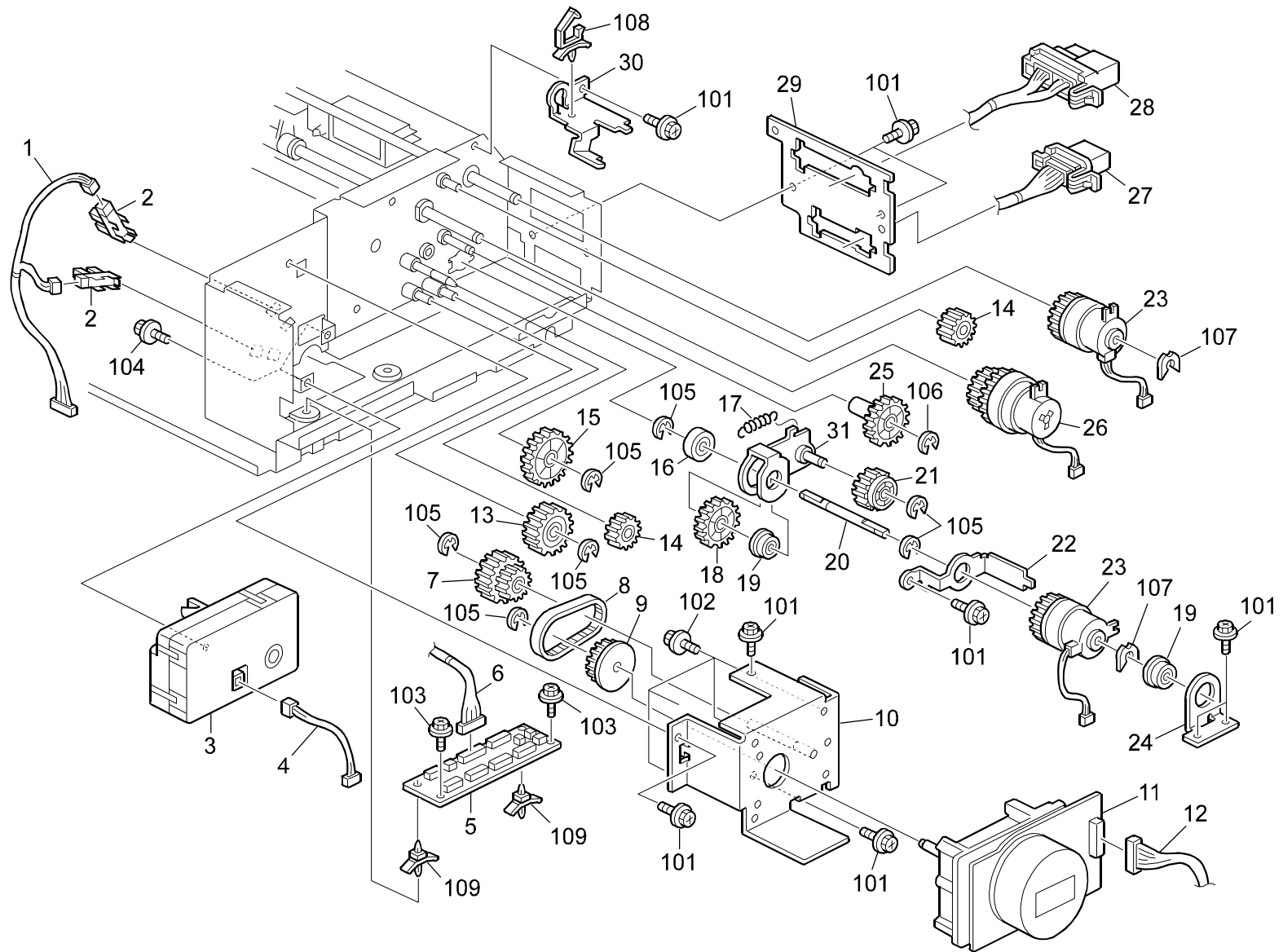


4.TRANSFER SECTION (B512)

Index No.	Part No.	Description	Q'ty Per Assembly
1	G060 5853	Grip - Application	1
2	A232 3566	Ball Bearing - 8x16x5	4
3	AF02 0572	Transport Roller:Drive	2
4	B512 1122	Guide Plate:Lower:Fix	1
5	AA06 3852	Pressure Spring	4
6	AA08 0034	Bushing - 4x5x7	4
7	AF02 0489	Transport Relay Roller	2
8	B303 2572	Stay:Feed	1
9	B512 1102	Guide Plate:Connecting:Upper	1
10	B512 1079	Positioning Pin:Guide:Front	1
11	5442 2117	Shoulder Screw - Hinge	2
12	B512 1112	Guide Plate:Connecting:Lower	1
13	G060 6035	Detent Roller	2
14	B512 5303	Harness:Drawer:Fix:2	1
15	B512 1086	Bracket:Drawer:Float:Lower	1
16	B512 1078	Positioning Pin:Guide:Rear	1
17	B512 5302	Harness:Drawer:Fix:1	1
18	B512 1082	Bracket:Drawer:Float:Upper	1
19	AB01 4246	Gear:Z28:Coupling	1
20	AB01 4247	Timing Pulley:25T:Coupling	1
21	AB03 0647	Timing Pulley - 22T	3
22	AA04 3295	Timing Belt:S3M:234	1
23	AA04 3296	Timing Belt:S3M:318	1

Index No.	Part No.	Description	Q'ty Per Assembly
101	0802 5282	Tapping Screw - M4x8	
102	0802 5281	Tapping Screw - M4x6	
103	0451 3008B	Tapping Screw - M3x8	
104	0720 0030E	Retaining Ring - M3	
105	0720 0060E	Retaining Ring - M6	

5.DRIVE AND ELECTRICAL (B512)

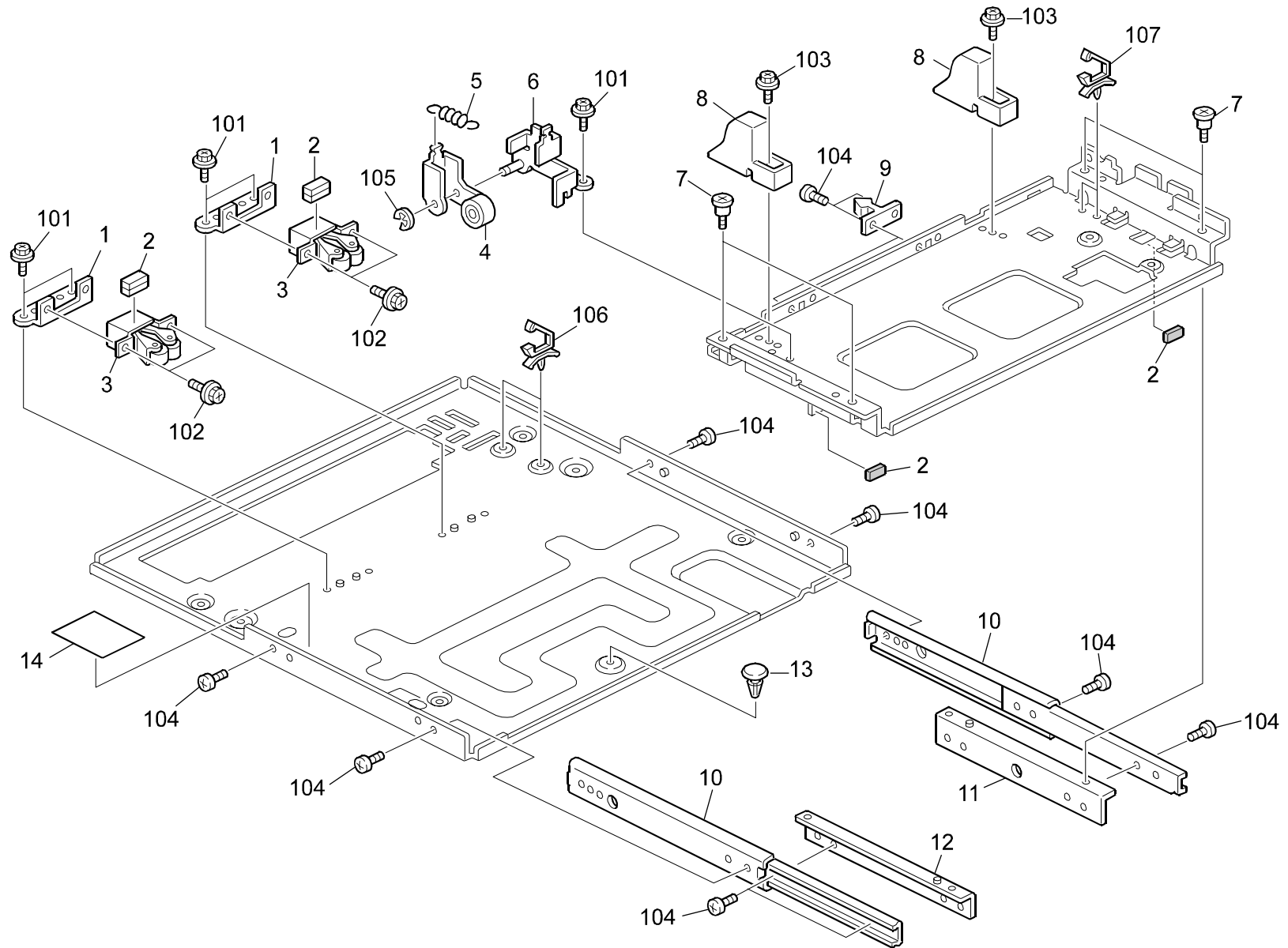


5.DRIVE AND ELECTRICAL (B512)

Index No.	Part No.	Description	Q'ty Per Assembly
1	B512 5313	Harness:Paper Volume Sensor	1
2	AW02 0056	Photointerruptor - EE-SX4235A-P1	2
3	H519 4755	DC Motor - DC24V 0.5W	1
4	B512 5314	Harness:Lift Motor	1
5	B512 5111	PCB:Aleutian:Ass'y	1
6	B512 5311	Harness:Paper Feed Unit	1
7	AB01 7637	Gear:Timing Pulley:30Z:22T	1
8	AA04 3297	Timing Belt:S3M:150	1
9	AB03 0738	Timing Pulley:34T	1
10	B512 2812	Bracket:Brushless Motor:Peen	1
11	AX06 0247	Brushless Motor:Transport-DC 24V	1
12	B512 5310	Harness:Brushless Motor	1
13	AB01 2829	Gear:Z25:Idler	1
14	AB01 3000	Idler Gear - 18z	2
15	AB01 3775	Gear - 33Z	1
16	A232 3552	Ball Bearing - 8x22x7	1
17	AA06 0925	Tension Spring:Pickup:Pressure	1
18	AB01 4243	Gear:Idler:Z30	1
19	A232 3566	Ball Bearing - 8x16x5	2
20	AA14 1088	Shaft:Connecting	1
21	AB01 4244	Gear:Swivel:Z25	1
22	B512 2802	Bracket:Swivel:Fix	1
23	AX21 0073	Electro Magnetic Clutch	2
24	B512 2806	Bracket:Connecting:Drum Stay	1
25	AB01 3776	Gear - 30Z	1
26	AX20 0176	Magnetic Clutch	1
27	B512 5301	Harness:Drawer:Moveable:2	1
28	B512 5300	Harness:Drawer:Moveable:1	1
29	B512 2712	Bracket:Drawer:Fix	1
30	B512 2804	Bracket:Magnetic Clutch	1
31	B512 2822	Bracket:Swivel:Peen	1

Index No.	Part No.	Description	Q'ty Per Assembly
101	0802 5282	Tapping Screw - M4x8	
102	0451 4006B	Tapping Screw - 4x6	
103	0802 5276	Tapping Screw With Washer - M3x6	
104	0450 4008B	Tapping Screw - 4x8	
105	0720 0060E	Retaining Ring - M6	
106	0720 0040E	Retaining Ring - M4	
107	0805 0088	Retaining Ring - M6	
108	1105 0534	Clamp	
109	1105 0192	Locking Support	

6.FRAME SECTION (B512)

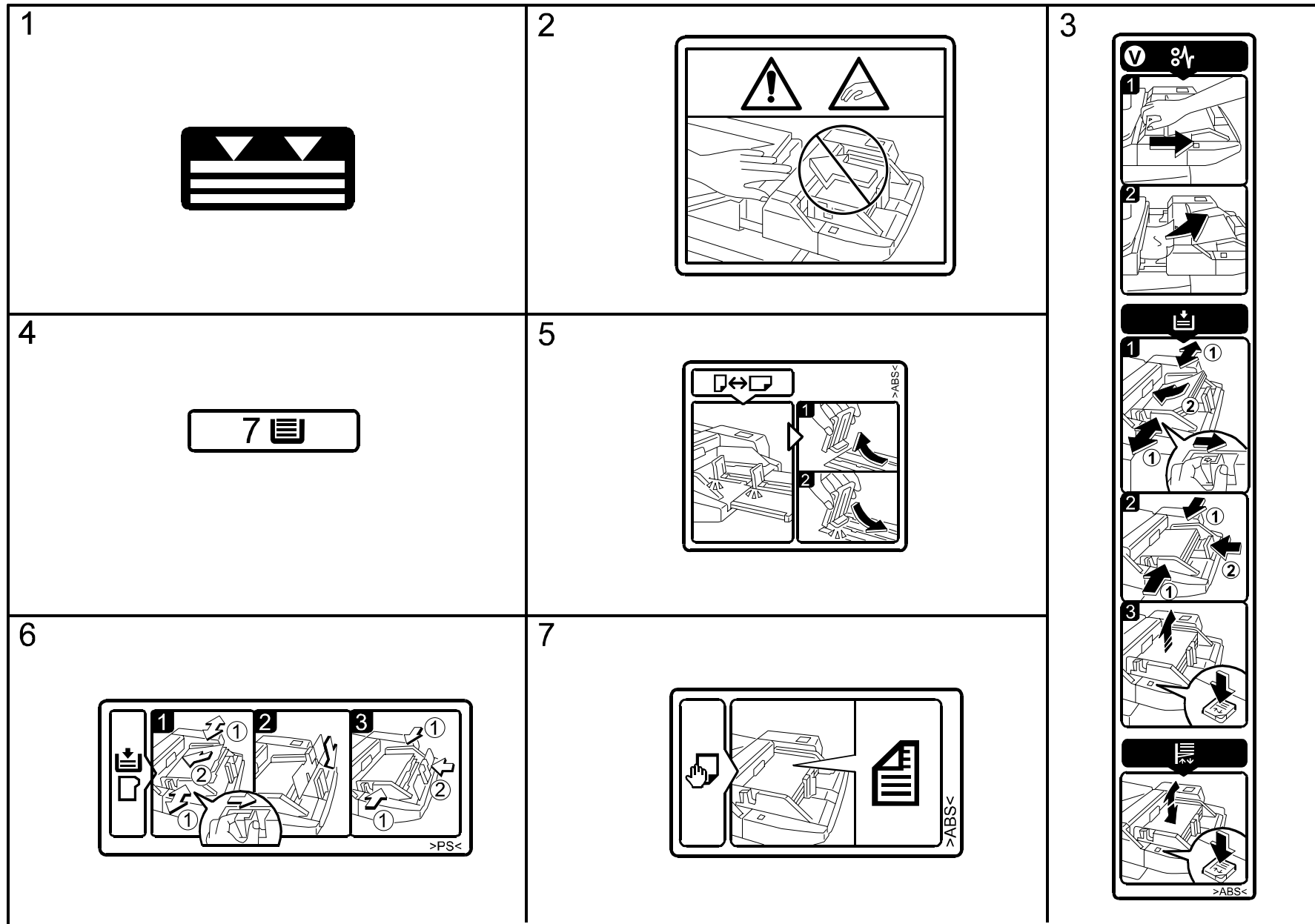


6.FRAME SECTION (B512)

Index No.	Part No.	Description	Q'ty Per Assembly
1	B512 1054	Bracket:Door Catch	2
2	AA16 1123	Damping Insulation:5x15x3	6
3	C239 2267	Paper Tray Holder	2
4	B512 2841	Bracket:Lock:Peen	1
5	G060 6038	Detent Spring	1
6	B512 2845	Bracket:Lock:Support:Peen	1
7	5442 2117	Shoulder Screw - Hinge	4
8	B512 2554	Link:Open And Close	2
9	A659 1272	Door Catch	2
10	AA07 0041	Slide Rail	2
11	B512 1097	Bracket:Slide Rail:Rear	1
12	B512 1096	Bracket:Slide Rail:Front	1
13	G568 1080	Anchor Clip - 1026	1
14	B512 1099	Decal	1

Index No.	Part No.	Description	Q'ty Per Assembly
101	0802 5281	Tapping Screw - M4x6	
102	0802 5276	Tapping Screw With Washer - M3x6	
103	0802 5282	Tapping Screw - M4x8	
104	0453 3006B	Tapping Screw - M3x6	
105	0720 0060E	Retaining Ring - M6	
106	1105 0487	Harness Clamp	
107	1105 0489	Harness Clamp - LWS 1316	

7.DECALS AND DOCUMENTS (B512)



7.DECALS AND DOCUMENTS (B512)

Index No.	Part No.	Description	Q'ty Per Assembly
1	B511 2674	Decal:Display:Paper Volume	1
2	B512 1099	Decal	1
3	B512 1310	Decal:Paper Jam	1
4	B512 1315	Decal:Tray:Display	1
5	B512 1317	Decal:End Fence:Install	1
6	B512 2688	Decal:Tab:End Fence:Install	1
7	B512 2689	Decal:Paper Set Direction	1

Index No.	Part No.	Description	Q'ty Per Assembly

Parts Index

PM Parts Index

Section Name	Part No.	Description in Service Manual	Description in Parts Catalog	Q'ty Per Assembly	Page and Index No.
PAPER REGISTRATION (B512)	AF03 1081	Paper Feed Roller	Paper Feed Roller:Feed:Manual Feed	1	7- 10
	AF03 0080	Pick-up Roller	Paper Feed Roller:Pickup	1	7- 17
	AF03 2080	Separation Roller	Paper Feed Roller:Separate	1	7- 25

Parts Index

Part No.	Description	Page and Index No.
B512 1054	Bracket:Door Catch	13 - 1
B512 1078	Positioning Pin:Guide:Rear	9 - 16
B512 1079	Positioning Pin:Guide:Front	9 - 10
B512 1082	Bracket:Drawer:Float:Upper	9 - 18
B512 1086	Bracket:Drawer:Float:Lower	9 - 15
B512 1094	Bracket:Fix Stand	3 - 15
B512 1096	Bracket:Slide Rail:Front	13 - 12
B512 1097	Bracket:Slide Rail:Rear	13 - 11
B512 1099	Decal	15 - 2
B512 1099	Decal	13 - 14
B512 1102	Guide Plate:Connecting:Upper	9 - 9
B512 1112	Guide Plate:Connecting:Lower	9 - 12
B512 1122	Guide Plate:Lower:Fix	9 - 4
B512 1250	Cover:Connecting	3 - 1
B512 1252	Cover:Upper:Ass'y	3 - 5
B512 1255	Cover:Front:Ass'y	3 - 3
B512 1257	Cover:Rear:Ass'y	3 - 8
B512 1262	Cover:Roller:Upper	3 - 7
B512 1263	Cover:Push Switch	5 - 4
B512 1310	Decal:Paper Jam	15 - 3
B512 1310	Decal:Paper Jam	3 - 6
B512 1315	Decal:Tray:Display	3 - 4
B512 1315	Decal:Tray:Display	15 - 4
B512 1317	Decal:End Fence:Install	15 - 5
B512 1317	Decal:End Fence:Install	3 - 9
B512 2554	Link:Open And Close	13 - 8
B512 2662	Cover:Roller:Lower	5 - 6
B512 2664	Tray:Lower	5 - 9
B512 2667	Shaft:Rise:Peen	5 - 8
B512 2668	Lever:Rise:Tray Bottom Plate	5 - 7
B512 2672	Side Fence:Rear:Ass'y	5 - 13
B512 2677	Tray Bottom Plate	5 - 16
B512 2678	Bracket:Photo Refiection Sensor	5 - 19
B512 2680	Side Fence:Front:Ass'y	5 - 10
B512 2681	End Fence:Tab:Ass'y	3 - 10

Part No.	Description	Page and Index No.
B512 2682	Paper Tray:Auxiliary	5 - 15
B512 2684	End Fence	3 - 12
B512 2688	Decal:Tab:End Fence:Install	3 - 11
B512 2688	Decal:Tab:End Fence:Install	15 - 6
B512 2689	Decal:Paper Set Direction	5 - 1
B512 2689	Decal:Paper Set Direction	15 - 7
B512 2690	Rack:Rear:Ass'y	5 - 22
B512 2692	Rack:Manual Feed	5 - 24
B512 2702	Paper Feed Unit:Side Plate:Rear	7 - 34
B512 2712	Bracket:Drawer:Fix	11 - 29
B512 2714	Bracket:Rise:Sensor	7 - 7
B512 2715	Paper Feed Unit:Side Plate:Front	7 - 2
B512 2735	Bracket:Photo Refiection Sensor	7 - 4
B512 2802	Bracket:Swivel:Fix	11 - 22
B512 2804	Bracket:Magnetic Clutch	11 - 30
B512 2806	Bracket:Connecting:Drum Stay	11 - 24
B512 2812	Bracket:Brushless Motor:Peen	11 - 10
B512 2822	Bracket:Swivel:Peen	11 - 31
B512 2841	Bracket:Lock:Peen	13 - 4
B512 2845	Bracket:Lock:Support:Peen	13 - 6
B512 5111	PCB:Aleutian:Ass'y	11 - 5
B512 5170	Push Switch:Rise:Fall	5 - 3
B512 5300	Harness:Drawer:Moveable:1	11 - 28
B512 5301	Harness:Drawer:Moveable:2	11 - 27
B512 5302	Harness:Drawer:Fix:1	9 - 17
B512 5303	Harness:Drawer:Fix:2	9 - 14
B512 5304	Harness:Connecting:Interface:Ass'y	3 - 13
B512 5310	Harness:Brushless Motor	11 - 12
B512 5311	Harness:Paper Feed Unit	11 - 6
B512 5312	Harness:Tray	5 - 20
B512 5313	Harness:Paper Volume Sensor	11 - 1
B512 5314	Harness:Lift Motor	11 - 4
B512 5315	Harness:Switch:Ass'y	5 - 2
B512 6080	Printed Circuit Board:Paper Size	5 - 12

Part No.	Description	Page and Index No.
A229 2692	Damping Insulation	7 - 24
A229 6307	Reverse Driven Shaft	7 - 27
A232 3552	Ball Bearing - 8x22x7	11 - 16
A232 3566	Ball Bearing - 8x16x5	11 - 19
A232 3566	Ball Bearing - 8x16x5	7 - 1
A232 3566	Ball Bearing - 8x16x5	9 - 2
A294 6700	Torque Limiter - 53mnxm	7 - 26
A421 2543	Friction Pad	5 - 17
A659 1272	Door Catch	13 - 9
B303 2535	Reverse Guide Plate	7 - 20
B303 2556	Reverse Pressure Lever	7 - 30
B303 2572	Stay:Feed	9 - 8
B303 2645	Noise Absorber Seal - 16.5x4.2x3	5 - 18
B303 6306	Reverse Drive Shaft	7 - 33
B511 2531	Guide Plate:Feed	7 - 19
B511 2541	Feed Stay	7 - 28
B511 2571	Stay:Feed:Peen	7 - 3
B511 2574	Arm:Pickup:Peen	7 - 14
B511 2578	Pick-up DC Solenoid	7 - 6
B511 2674	Decal:Display:Paper Volume	15 - 1
B511 2674	Decal:Display:Paper Volume	5 - 14
C239 2267	Paper Tray Holder	13 - 3
G011 3305	Gear - 16T	5 - 23
G060 5853	Grip - Application	9 - 1
G060 6035	Detent Roller	9 - 13
G060 6038	Detent Spring	13 - 5
G521 2586	Cushion:Spacer:Large Capacity Tray	3 - 2
G568 1080	Anchor Clip - 1026	13 - 13
H519 4755	DC Motor - DC24V 0.5W	11 - 3

Part No.	Description	Page and Index No.
AA04 3295	Timing Belt:S3M:234	9 - 22
AA04 3296	Timing Belt:S3M:318	9 - 23
AA04 3297	Timing Belt:S3M:150	11 - 8
AA06 0834	Reverse Pressure Spring - 55gf	7 - 31
AA06 0924	Tension Spring:Pickup:Pressure Release	7 - 37
AA06 0925	Tension Spring:Pickup:Pressure	11 - 17
AA06 0925	Tension Spring:Pickup:Pressure	7 - 13
AA06 0930	Tension Spring:Side Fence:Rear	5 - 11
AA06 3852	Pressure Spring	9 - 5
AA06 3852	Pressure Spring	7 - 21
AA07 0041	Slide Rail	13 - 10
AA08 0034	Bushing - 4x5x7	7 - 22
AA08 0034	Bushing - 4x5x7	9 - 6
AA08 2046	Bushing - 6x12x6	7 - 35
AA08 2070	Bushing - 8x16x7	7 - 12
AA08 2074	Bushing - M8	7 - 11
AA08 3015	Roller Clutch	7 - 36
AA10 0014	Retaining Ring C - Separate	7 - 9
AA14 0799	Feed Roller Shaft	7 - 15
AA14 1088	Shaft:Connecting	11 - 20
AA14 3777	Lower Docking Pin	3 - 14
AA16 1123	Damping Insulation:5x15x3	13 - 2
AB01 1391	Driven Reverse Gear - 21z	7 - 29
AB01 1392	Drive Reverse Gear - 24z	7 - 32
AB01 2829	Gear:Z25:Idler	11 - 13
AB01 3000	Idler Gear - 18z	11 - 14
AB01 3775	Gear - 33Z	11 - 15
AB01 3776	Gear - 30Z	11 - 25
AB01 4243	Gear:Idler:Z30	11 - 18
AB01 4244	Gear:Swivel:Z25	11 - 21
AB01 4246	Gear:Z28:Coupling	9 - 19
AB01 4247	Timing Pulley:25T:Coupling	9 - 20
AB01 7637	Gear:Timing Pulley:30Z:22T	11 - 7
AB03 0647	Timing Pulley - 22T	9 - 21
AB03 0738	Timing Pulley:34T	11 - 9

Part No.	Description	Page and Index No.
AF02 0489	Transport Relay Roller	7 - 23
AF02 0489	Transport Relay Roller	9 - 7
AF02 0572	Transport Roller:Drive	9 - 3
AF02 0573	Transport Drive Roller	7 - 18
AF03 0080	Paper Feed Roller:Pickup	7 - 17
AF03 1081	Paper Feed Roller:Feed:Manual Feed	7 - 10
AF03 2080	Paper Feed Roller:Separate	7 - 25
AW01 0098	Photointerrupter - GP2A231LRSA	5 - 21
AW01 0098	Photointerrupter - GP2A231LRSA	7 - 5
AW02 0056	Photointerruptor - EE-SX4235A-P1	11 - 2
AW02 0056	Photointerruptor - EE-SX4235A-P1	7 - 8
AW02 0056	Photointerruptor - EE-SX4235A-P1	5 - 5
AX06 0247	Brushless Motor:Transport-DC 24V	11 - 11
AX20 0176	Magnetic Clutch	11 - 26
AX21 0073	Electro Magnetic Clutch	11 - 23

Part No.	Description	Page and Index No.
0450 4008B	Tapping Screw - 4x8	11 -104
0450 4008B	Tapping Screw - 4x8	5 -103
0450 4012H	Tapping Screw:4x12	3 -103
0451 3008B	Tapping Screw - M3x8	9 -103
0451 4006B	Tapping Screw - 4x6	11 -102
0451 4008B	Philips Tapping Screw - M4x8	3 -101
0451 4008H	Tapping Screw - 4x8	3 -102
0452 3006B	Tapping Screw - M3x6	5 -101
0453 3006B	Tapping Screw - M3x6	13 -104
0573 0030E	Hexagon Headless Set Screw - M3x3	7 -106
0720 0030E	Retaining Ring - M3	9 -104
0720 0030E	Retaining Ring - M3	7 -111
0720 0040E	Retaining Ring - M4	7 -103
0720 0040E	Retaining Ring - M4	11 -106
0720 0060E	Retaining Ring - M6	7 -102
0720 0060E	Retaining Ring - M6	13 -105
0720 0060E	Retaining Ring - M6	11 -105
0720 0060E	Retaining Ring - M6	5 -105
0720 0060E	Retaining Ring - M6	9 -105
0741 3706	Ball Bearing - 6x10x3	7 -104
0802 5276	Tapping Screw With Washer - M3x6	13 -102
0802 5276	Tapping Screw With Washer - M3x6	11 -103
0802 5281	Tapping Screw - M4x6	13 -101
0802 5281	Tapping Screw - M4x6	9 -102
0802 5281	Tapping Screw - M4x6	5 -104
0802 5282	Tapping Screw - M4x8	13 -103
0802 5282	Tapping Screw - M4x8	5 -102
0802 5282	Tapping Screw - M4x8	11 -101
0802 5282	Tapping Screw - M4x8	9 -101
0802 5282	Tapping Screw - M4x8	7 -101
0805 0088	Retaining Ring - M6	7 -110
0805 0088	Retaining Ring - M6	11 -107
0805 3145	Ball Bearing - 6x12x4mm	7 -105
1105 0192	Locking Support	11 -109
1105 0487	Harness Clamp	7 -108

Part No.	Description	Page and Index No.
1105 0487	Harness Clamp	3 -104
1105 0487	Harness Clamp	13 -106
1105 0489	Harness Clamp - LWS 1316	13 -107
1105 0511	Harness Clamp - LWS-0306ZC	5 -106
1105 0518	Edge Saddle - Les-1010	7 -107
1105 0522	Edge Saddle - Les0510	5 -107
1105 0534	Clamp	7 -109
1105 0534	Clamp	11 -108

Part No.	Description	Page and Index No.
5442 2117	Shoulder Screw - Hinge	9 - 11
5442 2117	Shoulder Screw - Hinge	13 - 7
5447 2706	Gear - 15T	7 - 16

